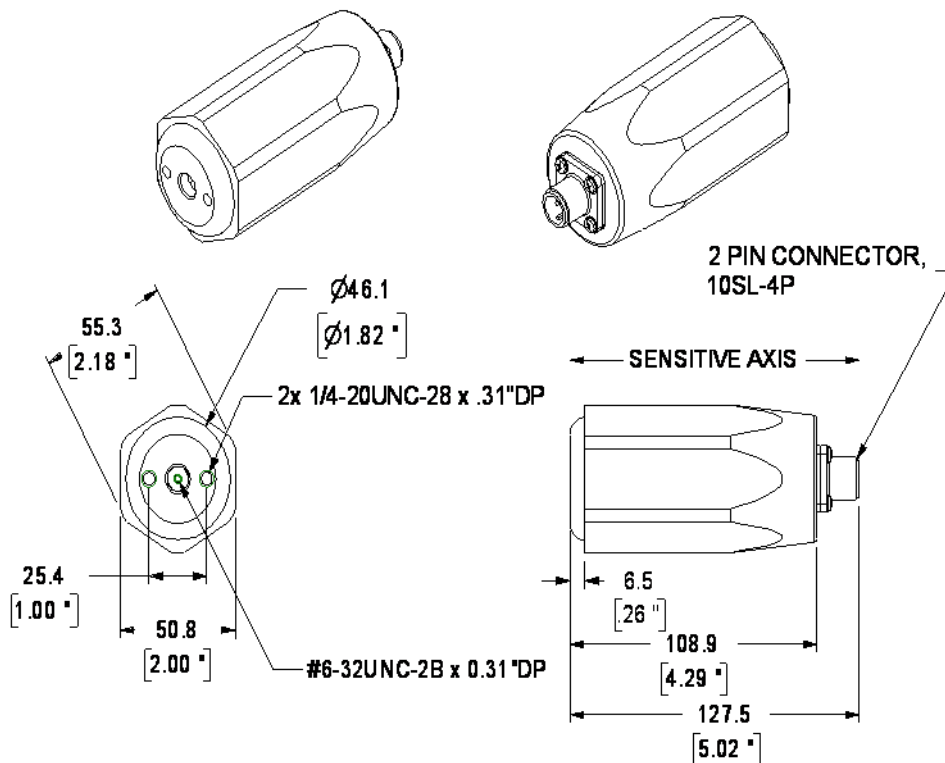


Model 546DP

VELOCITY TRANSDUCER

The Model 546DP is a high-sensitivity velocity transducer with moving internal solenoid for direct prod (DP) attachment to vibrating parts. With the optional probe magnetically attached to the vibrating part and the case rigidly mounted to a fixed reference, voltage output is directly proportional to vibration velocity. The magnetic probe eliminates alignment problems when installing the transducer.

Line Drawing:



546DP

Installation:

1. Optional probe should be attached to vibrating object using magnetic tip (P/N E10170). Do not exceed limits of probe travel.
2. Connector pin A is signal ground and housing ground; pin B is signal.
3. When purchased with mounting bracket and magnetic tip (E11194), the bracket should be mounted to a fixed reference surface. The magnetic tip should contact the vibrating object.



Model 546DP VELOCITY TRANSDUCER

GENERAL SPECIFICATIONS	
Frequency Response	2 to 200 Hz within $\pm 5\%$ @ 70°F (21°C)
Sensitivity	1080 $\pm 10\%$ mV/in/s peak (42.52 mV/mm/s)
Dynamic Range	0 - 125 mils pk-pk
Impedance	R=2 k Ω
Magnetic Field Sensitivity	0.15 in/s/Gauss
Probe Travel	.375" (9.5 mm) peak-peak
Connector	2-pin (10SL-4P)
Grounding	Case and signal ground common
Mounting	The case must be rigidly mounted to a solid base. The probe can be directly connected to the moving part by the magnet.
Mounting Orientation	Sensitive axis horizontal
Weight	2 lbs (.9kg)
Temperature Range	-40° to 250° F (-40° to 121° C)

Ordering Information for Model 546DP	
Part Number	Description
E02785	Model 546DP Vibration Sensor
E10170	Magnetic tip
E04521-12' E04690-25' E04691-50'	Instrument interconnect cables for IRD Models 220/230/236/246/260/290/330 and 350, 3-pin connectors
E20433-12' E30219-25'	Instrument interconnect cables for IRD Models 220/230/236/246/260/290/330 and 350, 9-pin circular twist-on connectors

USA Headquarters: Telephone: (1) 502 366 0916 Fax: (1) 502 238 1001
 IRD LLC 4740 Allmond Ave. Louisville, KY 40209, USA
 UK: Telephone: +44 1244 538170 Fax: +44 1244 528900
 IRD UK Ltd. International House, Aviation Park, Flint Road, Saltney Ferry, Chester UK CH4 0GZ
 MEXICO: Telephone: +52.55.5689.8325 Fax: +52 55.5689.8160
 IRD Balancing México S. de R. L. de C.V.; Miguel G. Kramer #29, Col. Atlántida Del. Coyoacán, México, D. F.C.P. 04370
 CANADA: Telephone: 1.450.724.4066 Fax: 1.450.724.4077
 IRD Canada Ltd. 755 Jean-Baptiste-Varin, La Prairie, QC J5R 6P3, Canada

Specifications are subject to change without prior notice.

Copyright © 2010 IRD®
 All rights reserved.

Publication No: E51325
 Rev 1, 2 August 2010

Email: sales@irdbalancing.com www.irdbalancing.com

www.irdbalancing.com