

Model 970 ACCELEROMETER

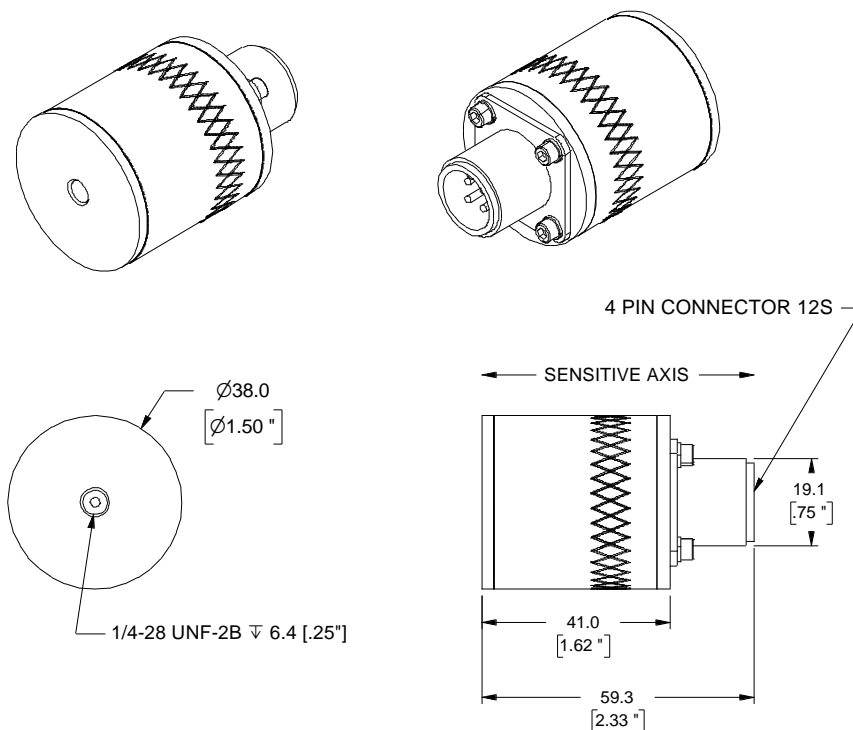
The IRD Model 970 is a rugged, low impedance accelerometer for use with portable instruments on all types of rotating machinery.

The Model 970 has built-in electronics to provide a low impedance output and eliminate the need for special low noise cables. The Model 970 is sealed against dust and moisture and operates up to a temperature of 250°F (121°C).

A single 1/4" - 28 mounting stud is used for attaching the accelerometer to a flat surface. Insulated mounting adapters are available for those cases where ground potential problems may exist between the transducer mounting surface and the instrument. Operating power and current for the accelerometer are supplied externally, typically from the instrument.



Line Drawing:



070
970

Model 970

ACCELEROMETER

GENERAL SPECIFICATIONS

Frequency Response	5 to 3000 kHz \pm 10% @ 70° F (21°C)
Sensitivity	50 mV/g nominal \pm 10% @ 100Hz
Magnetic Field Sensitivity	0.001 g/Gauss @ 60 Hz
Dynamic Range	.001—70g peak
Resonance	27 kHz mounted, nominal
Grounding	Case isolated from signal ground
Power Requirement	+8 to +15 VDC and -8 to -15 VDC Pin A— +VDC Pin B— -VDC Pin C— common Pin D— signal
Housing	300 series stainless steel, waterproof, dustproof, welded case
Transverse Response	5% average
Residual Noise	Less than 0.0002g broadband-transducer output
Shock	2000g peak
Temperature Range	-40° to 250° F (-40° to 121° C)
Connector	4 pin, MS-type 12S-10P
Mounting	1/4" - 28 tapped hole, 1/4" deep
Weight	7.7 oz (220 grams)

Ordering Information for Model 970

Part Number	Description
E19697	Model 970 Accelerometer
E10308	Insulated Mounting Stud
E24746	Small Magnetic Holder
E04332	Large Magnetic Holder
E01103	Straight Probe

USA Headquarters:
IRD LLC
UK:
IRD UK Ltd.
MEXICO:
IRD Balancing México
CANADA:
IRD Canada Ltd.

Telephone: (1) 502 366 0916 Fax: (1) 502 238 1001
4740 Allmond Ave. Louisville, KY 40209, USA
Telephone: +44 1244 538170 Fax: +44 1244 528900
International House, Aviation Park, Flint Road, Saltney Ferry, Chester UK CH4 0GZ
Telephone: +52.55.5689.8325 Fax: +52 55.5689.8160
S. de R. L. de C.V.; Miguel G. Kramer #29, Col. Atlántida Del. Coyoacán, México, D. F.C.P. 04370
Telephone: 1.450.724.4066 Fax: 1.450.724.4077
755 Jean-Baptiste-Varin, La Prairie, QC J5R 6P3, Canada

Specifications are subject to change without prior notice.

Copyright © 2010 IRD[®]
All rights reserved.

Publication No: E51331
Rev 1, 3 August 2010